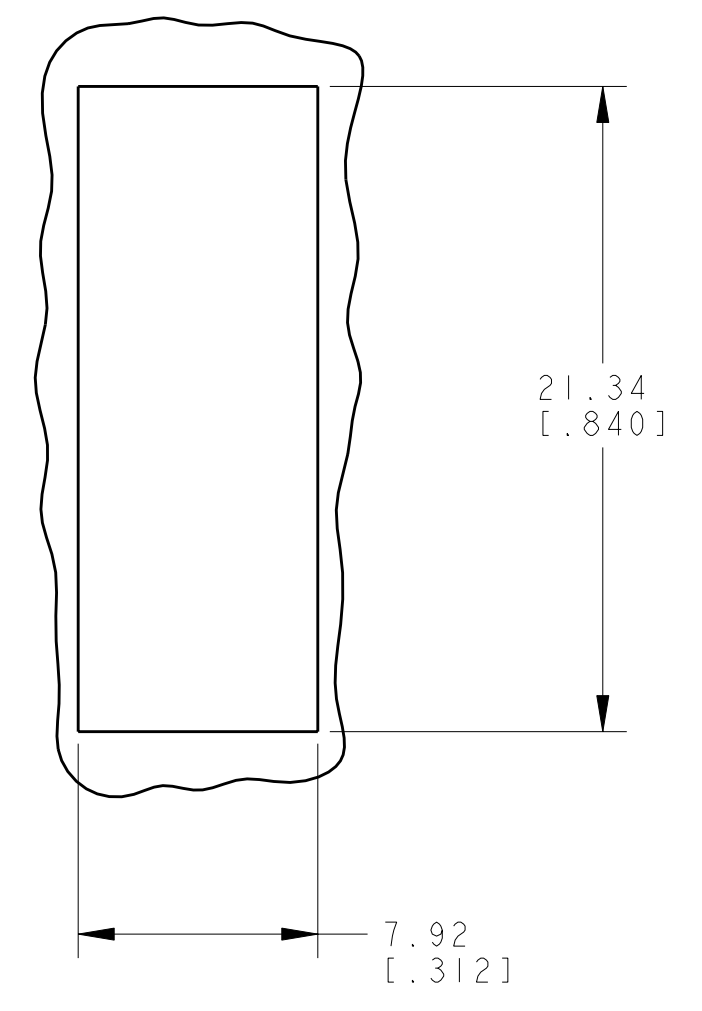
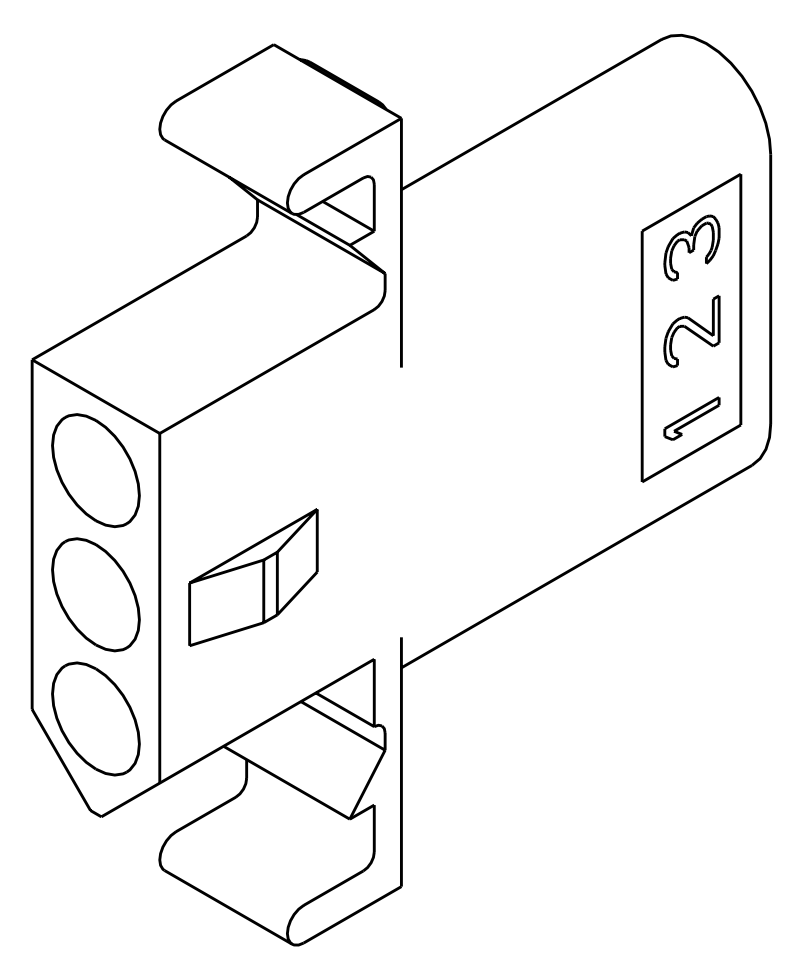
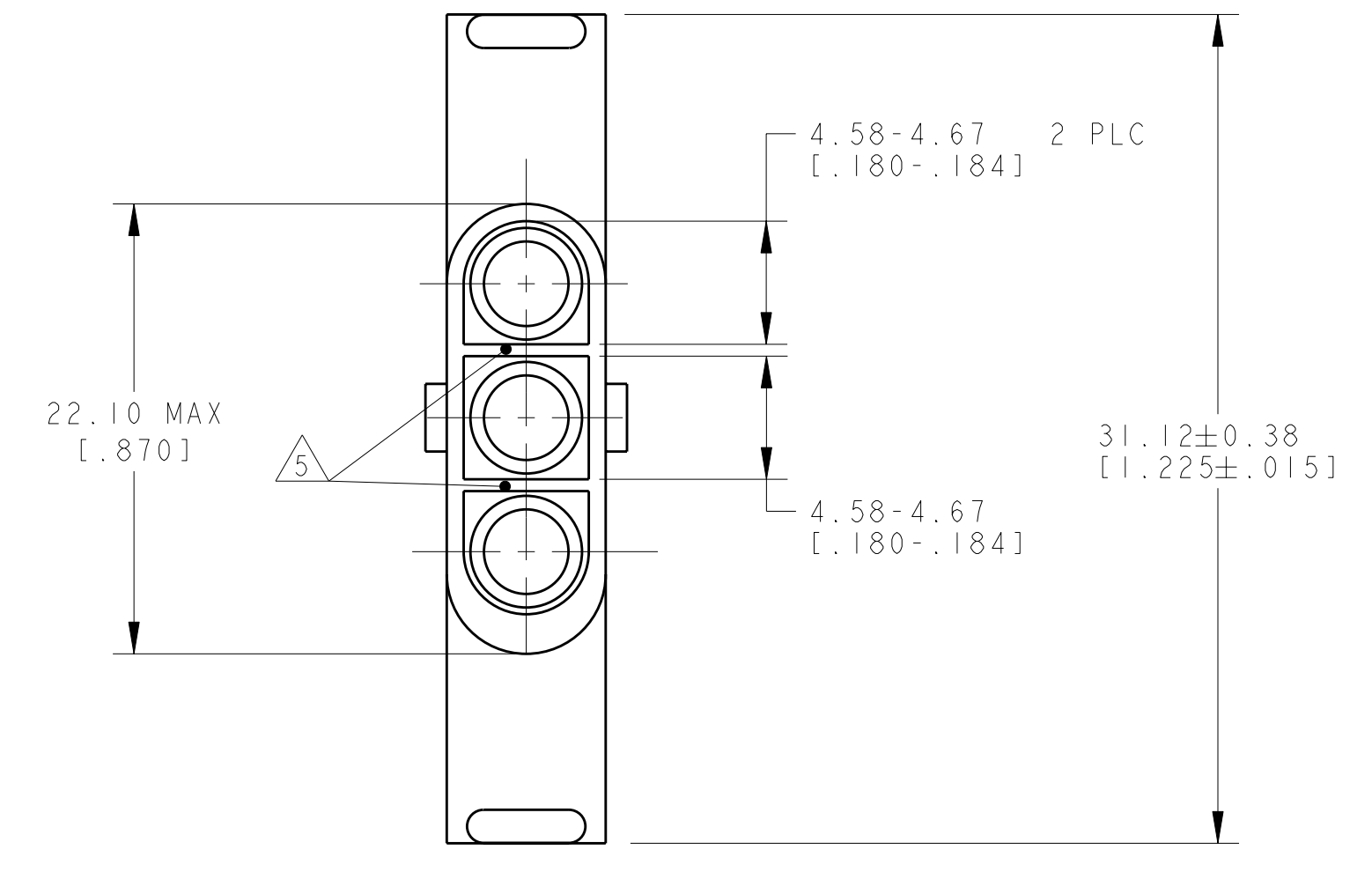
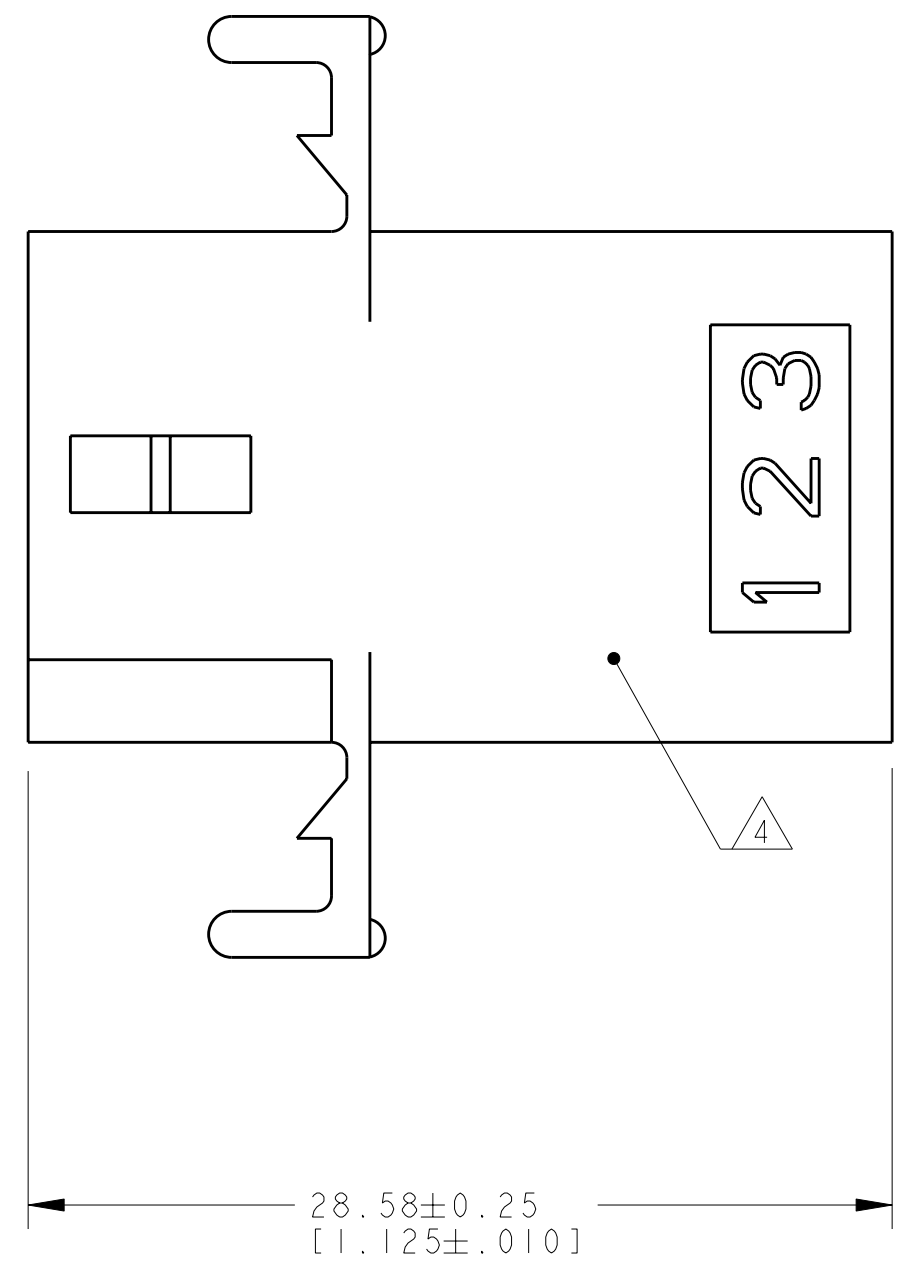
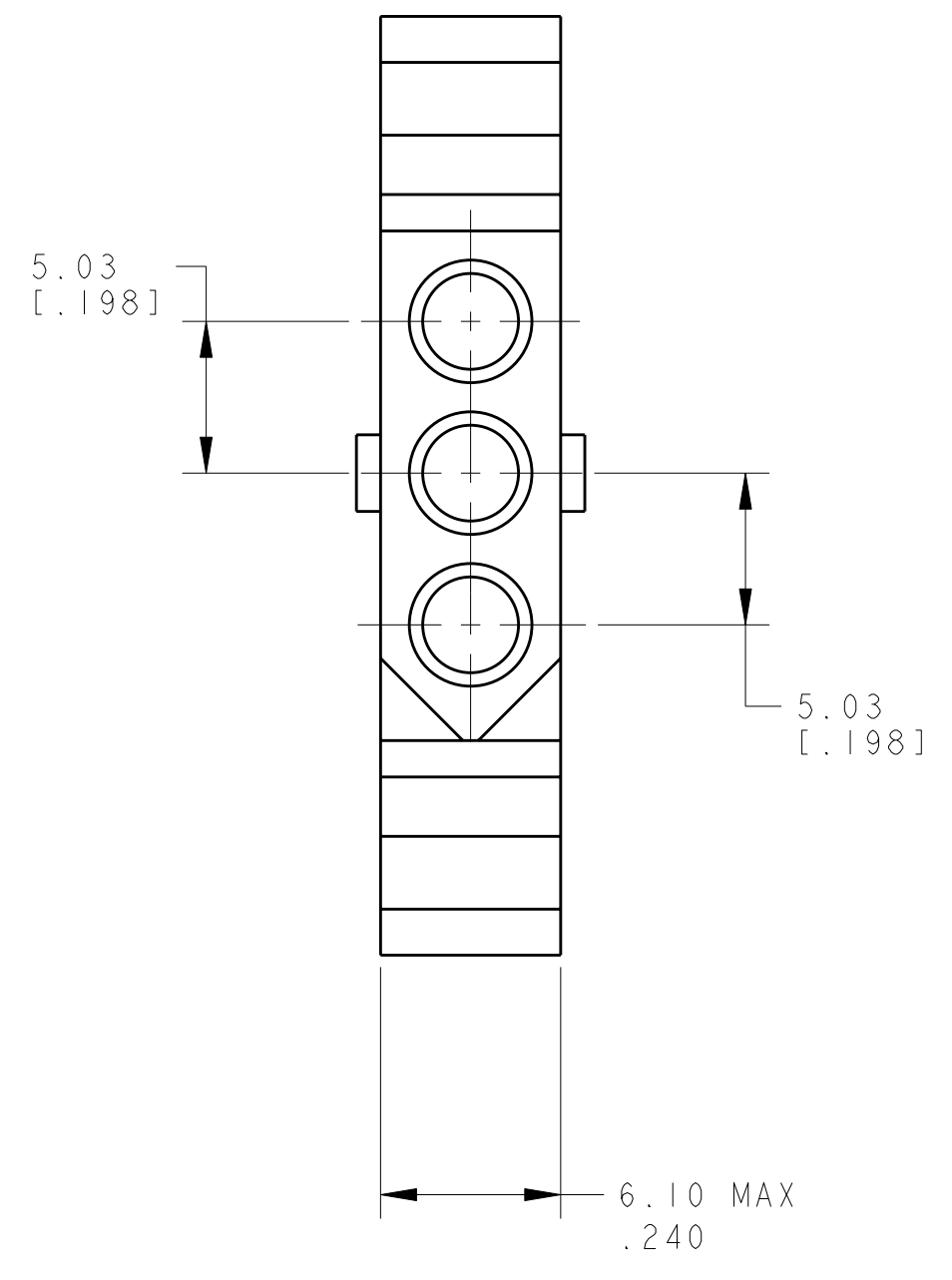


LOC	DIST	REVISIONS			
CM	00	REV	DATE	DWN	APVD
		M	REVIS PER 0638-0540-04	03AUG04	KW DC
		MI	REVIS PER ECO-06-008661	19JUL06	KW DC

- △ MATERIAL: NYLON, UL94V2 (NATURAL).
- 2. RECOMMENDED PANEL THICKNESS 2.29 [.090] MAX.
- 3. MARKING FOR UL AND CSA LOGO SHALL BE LOCATED ON ANY EXTERNAL SURFACE.
- △ AMP LOGO AND CIRCUIT NUMBERS LOCATED IN AREA, EITHER SIDE, SIZE OPTIONAL, FROST BACKGROUND.
- △ WALL THICKNESS TO MEASURE 0.36-0.46 [.014-.018]



RECOMMENDED PANEL CUT OUT

**METRIC**

770071-1  
PART NUMBER

DIMENSIONS: mm [INCHES]		TOLERANCES UNLESS OTHERWISE SPECIFIED: 0 PLC ± 1 PLC ± 2 PLC ±0.13 [1.005] 3 PLC ± 4 PLC ± ANGLES ±40°30'		DWN R. WHITAKER 03AUG2004 CHK D. COLEY 03AUG2004 APVD D. COLEY 03AUG2004		<b>tyco</b> Electronics Tyco Electronics Harrisburg, PA 17105-3608	
MATERIAL: - FINISH: -		PRODUCT SPEC: APPLICATION SPEC: WEIGHT: -		NAME: RECEPTACLE, 3 CIRCUIT, .093 COMMERCIAL PIN AND SOCKET		SIZE: A CAGE CODE: 100779 DRAWING NO: C=770071	
CUSTOMER DRAWING				SCALE: 4:1		SHEET: 1 OF 1 REV: M	